

# PROCOLOR IFPD-MOBTLT

Mobile Height-Adjustable Tilting Electric Stand – Not only easily move your system around but tilt the screen up to 90 degrees along with the ability to raise and lower the height for each user on-the-fly with integrated lift control.



## Features

- Integrated Touch Control with BOXLIGHT PROCOLOR DISPLAYS\*
- 22" of vertical movement
- 90 degrees of tilt adjustment
- Included keyboard/mini pc shelf
- Quiet wheels

## Specifications

Dimensions and Weight	
Overall Dimensions (W x H x D) Vertical	1,234 mm x 844 mm x 1220~1780 mm (48.6 in. x 33.2 in. x 38.6~70.1 in.)
Overall Dimensions (W x H x D) Horizontal	1,234 mm x 844 mm x 980.5~1540.5 mm (48.6 in. x 33.2 in. x 38.6~60.7 in.)
Net Weight	52 kg (114.6 lb)
Packaged Dimensions (W x H x D)	1,366 mm x 933 mm x 280 mm (53.8 in x 36.7 in x 11.1 in)
Gross Weight	62 kg (136.7 lb)
Max Load	100kg (220.4 lb)
Lifting Distance	560 mm (22 in)
Rotation Angle	Up to 90°
Maximum Panel Size	Up to 75"
Wheel Size	3 in
Accessories	
Remote Control	1 x
Remote Control Cable	1 x 2.4 m
USB A-A Cable	1 x 1.3 m (for connection to Procolor Display)
Power Cable	1 x 3 m
Power Transfer Cable	1 x .4m
Screw Accessory Package	1 x

Environmental Conditions	
Storage Temperature	-20° to 60° C (-4° to 140° F)
Storage Humidity	10% to 90%
Operating Temperature	0° to 40° C (32° to 104° F)
Operating Humidity	10% to 90%
Power Requirement	100-240~50/60Hz
Power Consumption	TBD
Safety	
Certificates	CE, FCC and cTUVus

## What's in the box:

### Hardware-

- Mobile Base (1 pcs)
- Lifting column (1 pcs)
- Wall Mount (1 pcs)
- Shelf (1 pcs)
- Remote Control Box
- Hanging bar (2 pcs)
- Remote Control (1 pcs)
- Screw Kit

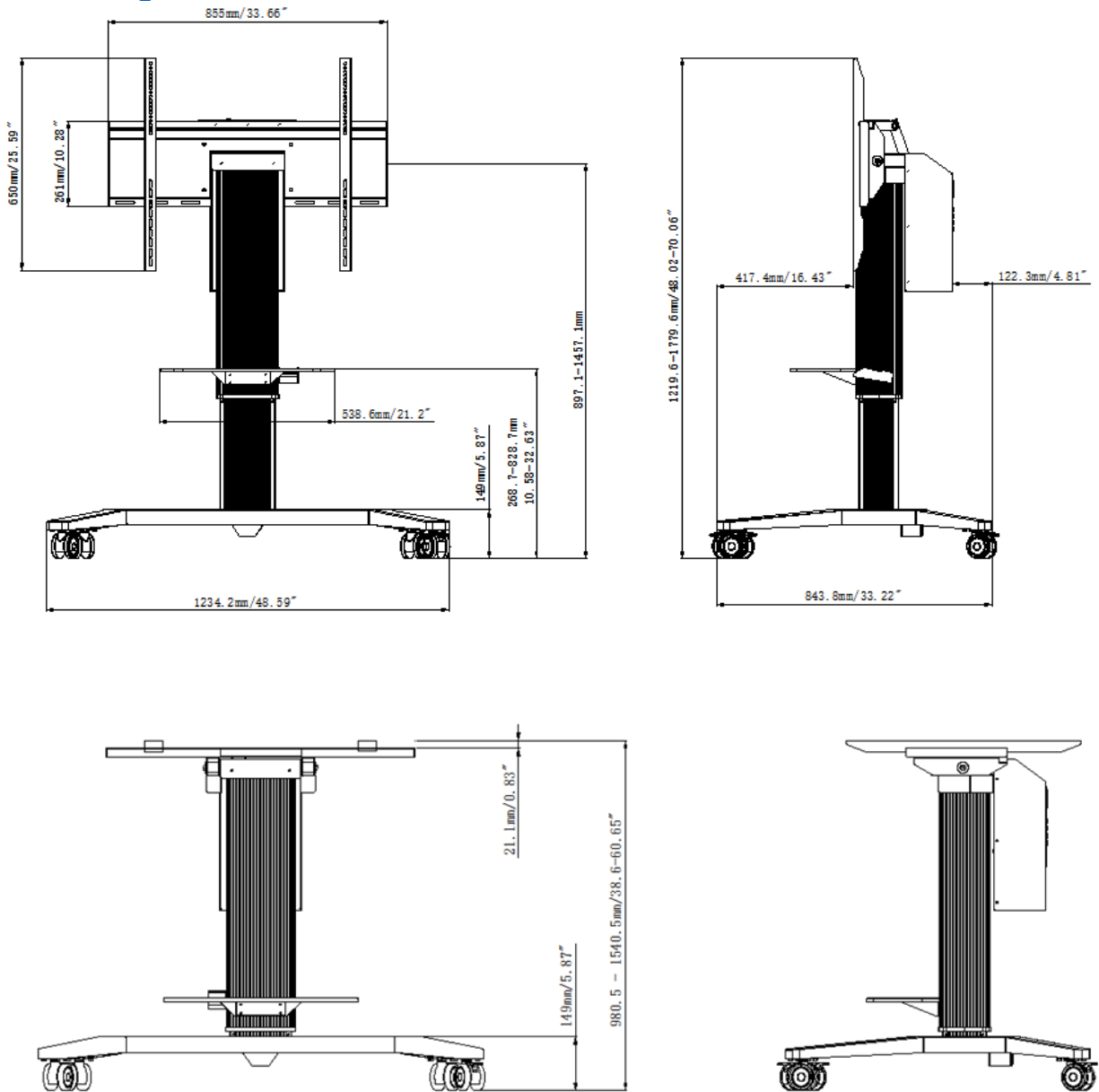
### Documentation-

- Quick Start Guide

### Cables-

- AC Power Cable (1 pcs)
- USB Cable(1 pcs)
- AC Power Cable (1 pcs)

## Drawings



Specifications are subject to change without notice.

\*Integrated touch control supported on PROCOLOR XX2 series and beyond.