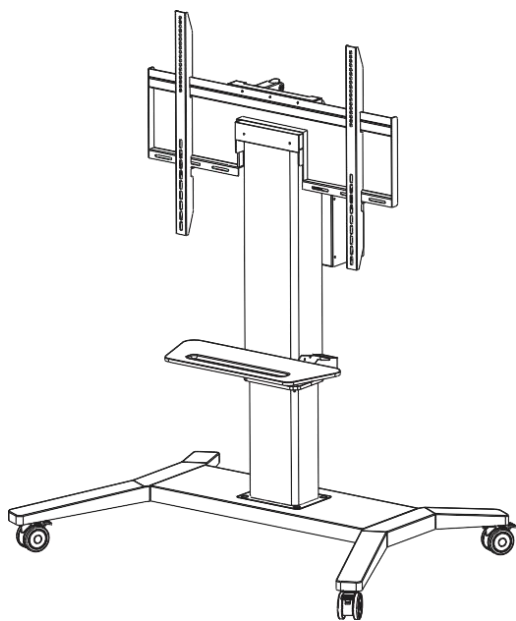


# Electric Stand

Quick Start Guide  
PROCOLOR IFPD-MOBTLT



## Statement

### 1. Federal Communication Commission Interference Statement

This equipment has been tested and found to comply with the limits for a Class B digital device, pursuant to part 15 of the FCC Rules. These limits are designed to provide reasonable protection against harmful interference in a residential installation. This equipment generates, uses and can radiate radio frequency energy and, if not installed and used in accordance with the instructions, may cause harmful interference to radio communications. However, there is no guarantee that interference will not occur in a particular installation. If this equipment does cause harmful interference to radio or television reception, which can be determined by turning the equipment off and on, the user is encouraged to try to correct the interference by one or more of the following measures:

- Reorient or relocate the receiving antenna.
- Increase the separation between the equipment and receiver.
- Connect the equipment into an outlet on a circuit different from that to which the receiver is connected.
- Consult the dealer or an experienced radio/TV technician for help.

### 2. FCC Caution

This device complies with Part 15 of the FCC Rules. Operation is subject to the following two conditions:

- (1) this device may not cause harmful interference, and
- (2) this device must accept any interference received, including interference that may cause undesired operation.

## Safety Warning

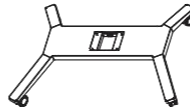
- It is suggested that this Electric Stand applies to the 55-75 inch intelligent panel. When the load is larger than 70 inches, and the distance between the display area and the ground is greater than 900mm, avoid turning operation.
- This Electric Stand can carry a maximum weight of 100KG.
- Before moving the Electric Stand, please unplug the AC power cord from power socket. The power cord can be used as an emergency disconnecting device.
- When the Electric Stand is controlled by the software, the USB transferable Cable(H) is only limited to the USB port on TV main board of the Intelligent Panel.
- For continued protection against risk of fire replace only with same type and ratings of fuse: T10AL, 250VAC.

- DO NOT move the Electric Stand with display in highest position.
- DO NOT push the Electric Stand from front or back of lift.
- DO NOT move the Electric Stand over cords or uneven,dirty,soft or sloping surfaces.
- DO NOT move the Electric Stand by pushing on Display.
- Failure to comply with this caution may result in the Electric Stand instability leading to equipment damage or personal injury.
- Please have the panel to the lowest position while moving the Electric Stand.
- Hazardous moving parts keep fingers and other body parts away.
- The bottom of the monitor or TV's Panel height is not over 0.85m from the ground, after installed.
- Normal operating temperature is 0 ~ 40°C.
- Please make sure indoor environment is dry and cool.Normal operating humidity is 10%~90%RH.

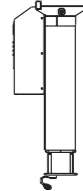
## Installation

Please refer to the Installation Guide for details.

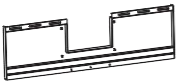
- Base (1pcs)
- Lifting column (1pcs)
- Wall Mount (1pcs)
- shelf(1pcs)
- Control pad box
- Hanging bar (2pcs)
- Control pad (1pcs)
- AC Power Cable (1pcs)
- USB transferable Cable(1pcs)
- AC Power transferable Cable (1pcs)



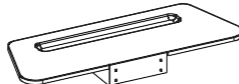
**A** -Base(1pcs)



**B**-Lifting column -(1pcs)



**C**-Wall Mount (1pcs)



**D**-shelf(1pcs)



**E**- Control pad box



**F**- Hanging bar (2pcs)



**G**-Control pad (1pcs)



**H**-AC Power Cable  
(1pcs)



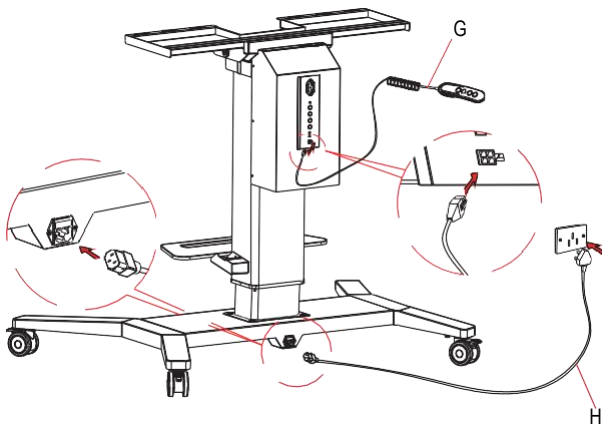
**I**-USB transferable Cable  
(1pcs)



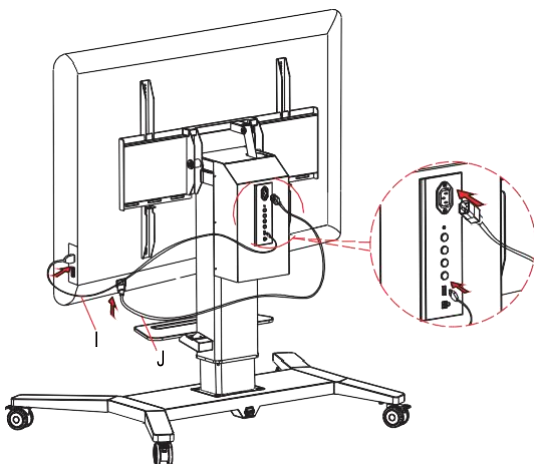
**J**-AC Power transferable  
Cable (1pcs)

## Power on

Step1: When using the Electric Stand, the control pad and the AC power cable should be connected to the Electric Stand, and connected to the power supply.

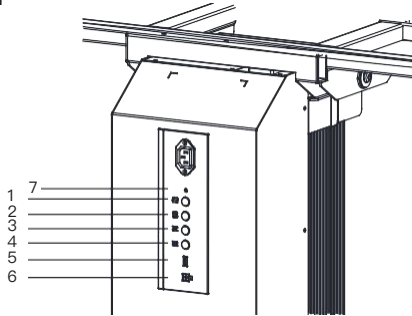


Step2: Plugging the AC Power transferable Cable and the USB transferable Cable in, user can interact with the Interactive Flat Panel.



# Control Mode

- Control Panel



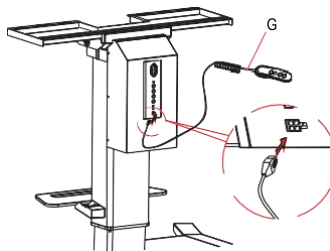
No.	Items	Function description
1	Flip Vertical	Flip the Electric Stand to vertical
2	Flip Horizontal	Flip the Electric Stand to horizontal
3	UP	Control the rise of the Electric Stand
4	Down	Control the fall of the Electric Stand
5	USB Interface	Connect with USB Transferable Cable(H), connect the Interactive Flat Panel
6	Control Pad Interface	Connect with the Control Pad (F)
7	Indicator Light	Standby: red; Work: blue

**NOTE:**

When the Electric Stand is powered on, after the "deep" of the buzzer, the Electric Stand can be used.

- Control Pad

1. Connect the Control Pad to the interface on the lift column control panel.

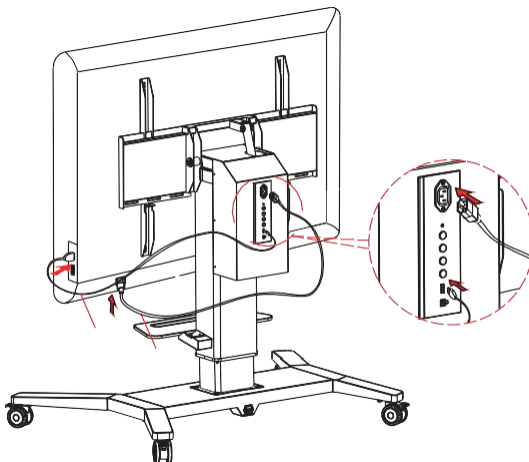


2. There are four buttons on the Control Pad, corresponding to the UP Key , DOWN key , Flip Vertical key (anticlockwise) and Flip Horizontal key (clockwise) of the Control Panel.

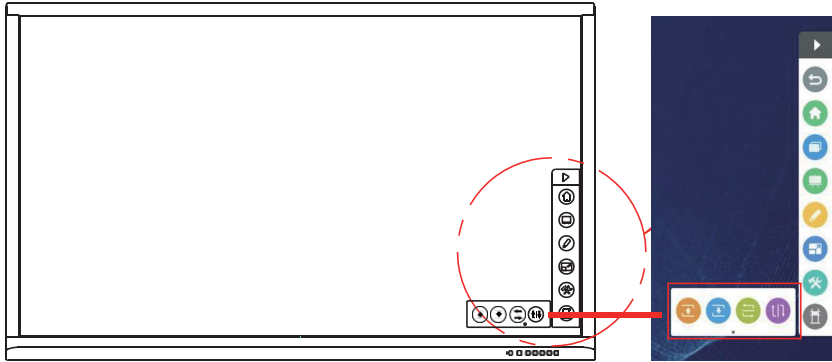


- The software of the Intelligent Panel

Step1: Ensure that the Intelligent Panel is connected with the Electric Stand by USB transferable Cable(H).



Step2: Turn on the Intelligent Panel, the sidebar of the Intelligent Panel will display the control button of the Electric Stand.



The "UP" Key in the figure can control the rise of the Electric Stand, and the "DOWN" Key controls the fall of the Electric Stand.

The "anticlockwise" Key controls the flip vertical of the Electric Stand, and the "clockwise" Key controls the flip horizontal of the Electric Stand.