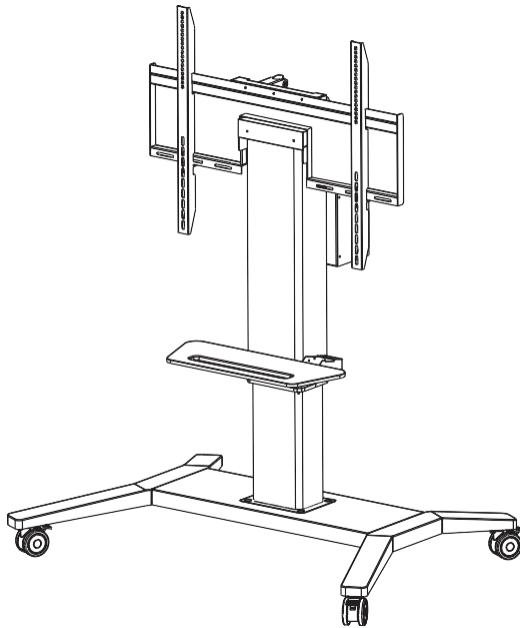


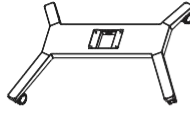
# Electric Stand Installation Guide



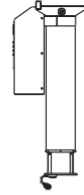
- For using this product properly and safely, please follow the contents of the Installation and Operation Manual to install.
- It is suggested that this Electric Stand applies to the 55-75 inch intelligent panel.
- This stand can carry a maximum weight of 100KG.

# Accessories

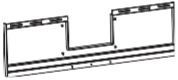
- Base (1pcs)
- Lifting column (1pcs)
- Wall Mount (1pcs)
- shelf(1pcs)
- Control pad box
- Hanging bar (2pcs)
- Control pad (1pcs)
- AC Power Cable (1pcs)
- USB transferable Cable(1pcs)
- AC Power transferable Cable (1pcs)



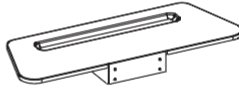
A -Base(1pcs)



B-Lifting column -(1pcs)



C-Wall Mount (1pcs)



D-shelf(1pcs)



E- Control pad box



F- Hanging bar (2pcs)



G-Control pad (1pcs)



H-AC Power Cable (1pcs)



I-USB transferable Cable (1pcs)



J-AC Power transferable Cable (1pcs)

Other accessories :

①Hexagon socket countersunk head screws	KM10*25	4pcs	
②Cross recessed pocket hexagon head screw	M8*25	8pcs	
③Cross recessed pocket hexagon head screw	M5*15	2pcs	
④Cross recessed T-head with collar screw	TM4*6	9pcs	
⑤Plastic bolts	/	4pcs	
⑥Hex nut	6mm	1pcs	
⑦Cross recessed pocket hexagon head screw	M6*20	4pcs	
⑧Cross screwdriver (Self-Provided)	/	1pcs	
⑨Monkey spanner (Self-Provided)	/	1pcs	

1

Step1: Install the Wall Mount C on the lifting column B (figure 1).

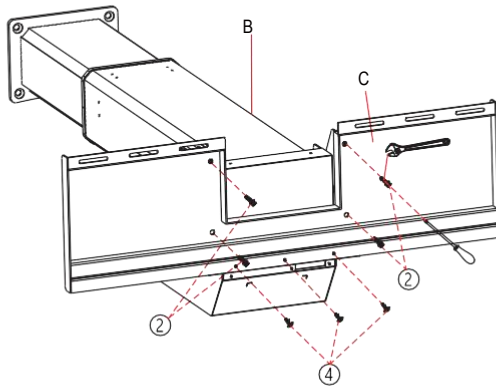


figure 1

2

Step2: Install the shelf D on the lifting column B (figure 2).

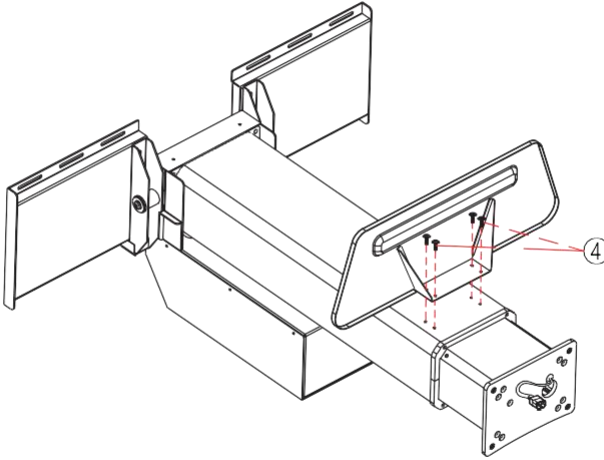


figure 2

3

Step3: Connect the power cable between the lifting column B and the base A, install the lifting column and tighten the screws (figure 3).

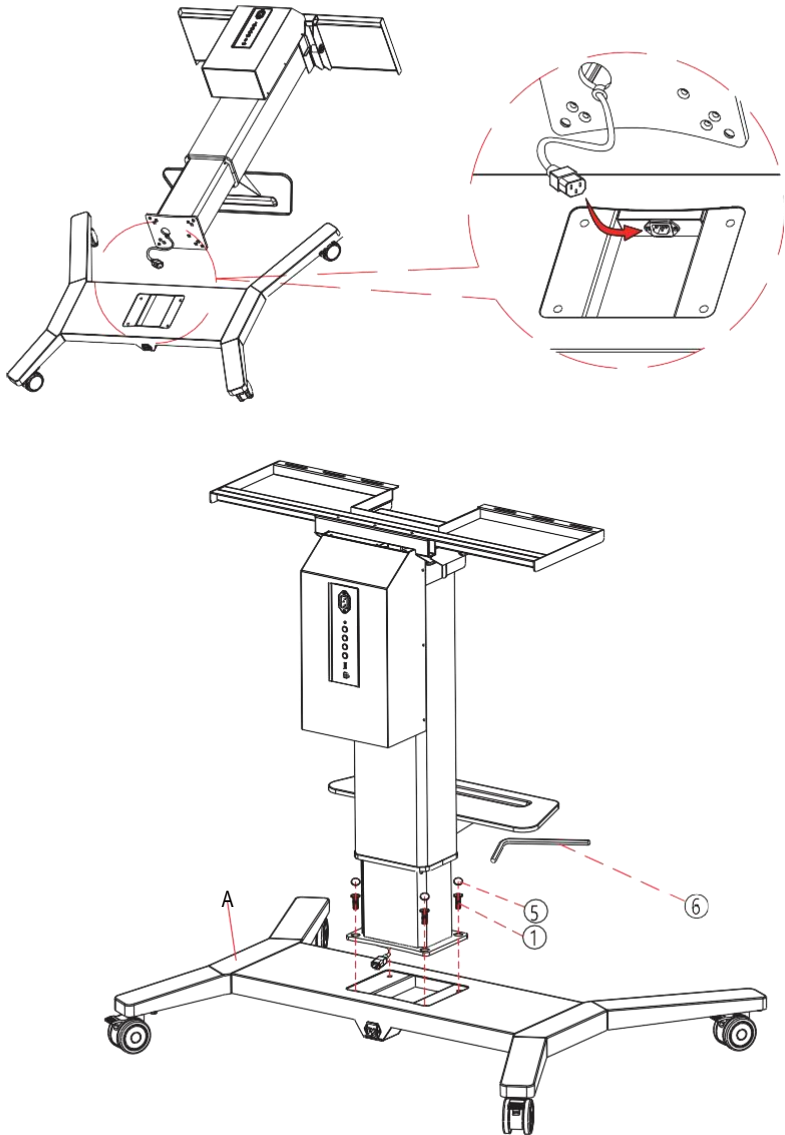


figure 3

4

Step4: Install the Control pad box E on the lifting column B (figure 4).

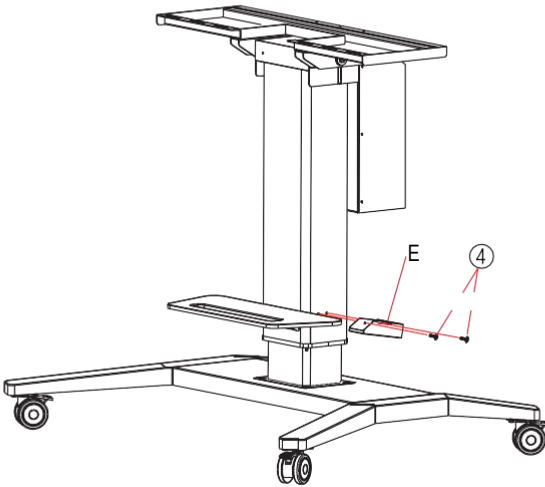


figure 4

5

Step5: When using the Electric Stand, the control pad and the AC power cable should be connected to the Electric Stand, and connected to the power supply (figure 5).

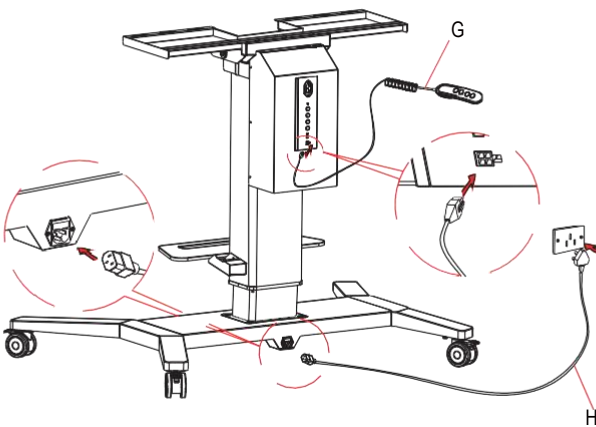


figure 5

6

Step6: Turn the Wall Mount C from horizontal to vertical. For details, refer to the Quick Start Guide.(figure 6).

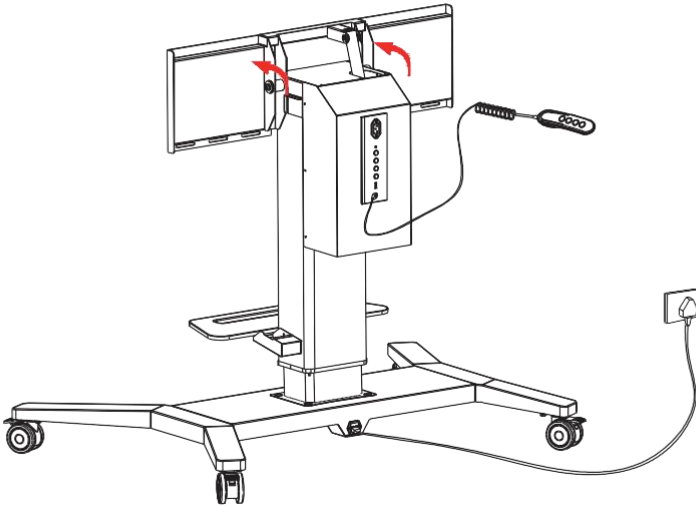


figure 6

7

Step7: Assemble the Interactive Flat Panel and hanging bar F with right screw (②or⑦) based on actual use demand. (figure 7).

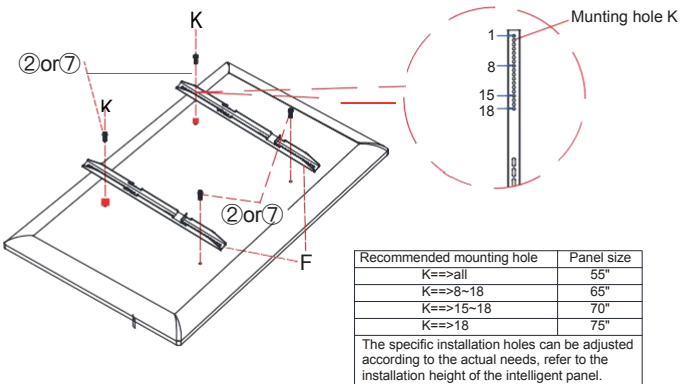


figure 7

8

Step8: Hang the Interactive Flat Panel to the Electric Stand by Wall Mount, and tighten the screws (figure 8).

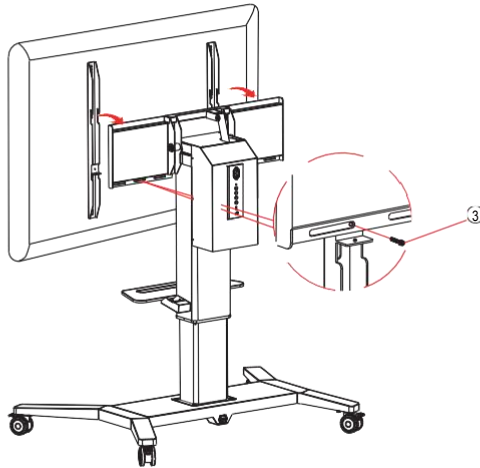


figure 8

9

Step9: Plugging the AC Power transferable Cable and the USB transferable Cable in, user can interact with the Interactive Flat Panel (figure 9).

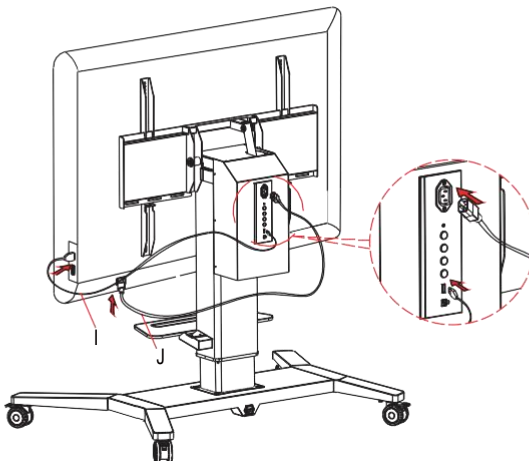


figure 9



10

Step10: Done, as shown in figure 10.

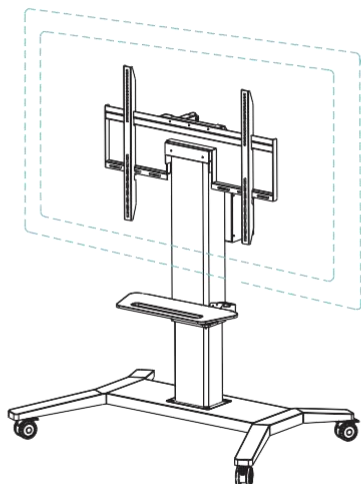


figure 10