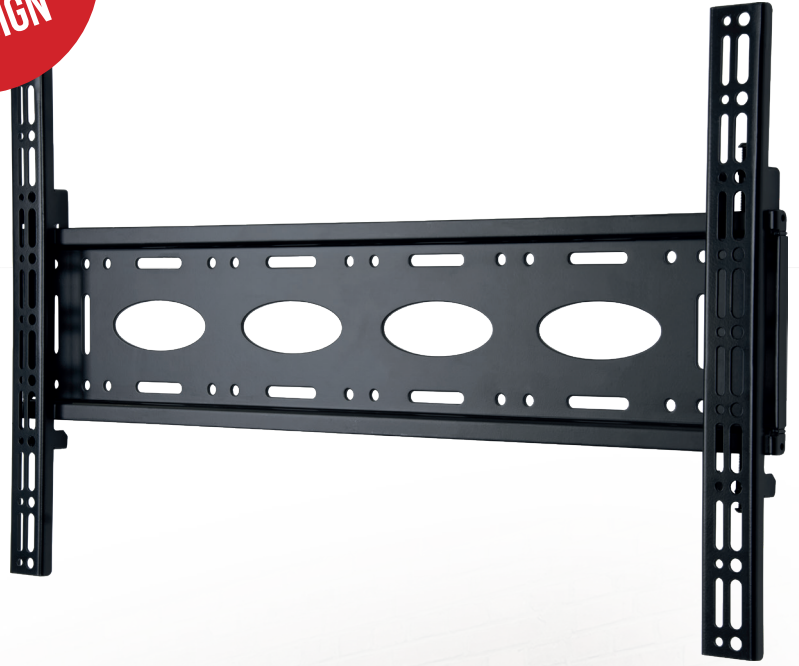




# BT8442

## UNIVERSAL FLAT SCREEN WALL MOUNT



Designed for large sized screens, the BT8442 supports weights up to 80kg and features a low-profile design that mounts screens just 30mm from the wall. The universal interface accommodates mounting patterns up to 655 x 400mm and comes with adjustment screws which allow the screen to be levelled once mounted.

### SPECIFICATION

Recommended screen size	49" - 80"
Max load	80kg
Fits universal patterns	up to 655 x 400mm
Distance from wall	30mm
Colour	Black

\*Please note the maximum load is reduced to 50kg when single pole mounted

### FEATURES

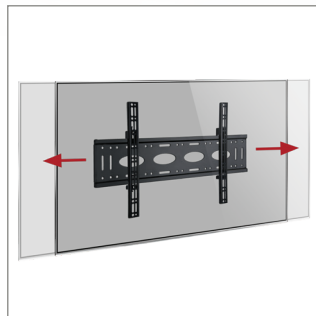
- Low profile design for a close to the wall installation
- Lateral adjustment of screen once mounted
- Levelling screws allow adjustment of screen height
- Compatible with B-Tech's collar and pole system for pole mounting screens
- Security locking screws help prevent unauthorised removal of screens
- Simple 'hook-on' installation
- All mounting hardware included



80" 203cm | VESA 600 x 400 | 80KG | [Security Locking Icon] | [Adjustment Icon]



Low profile design mounts screen only 30mm from the wall



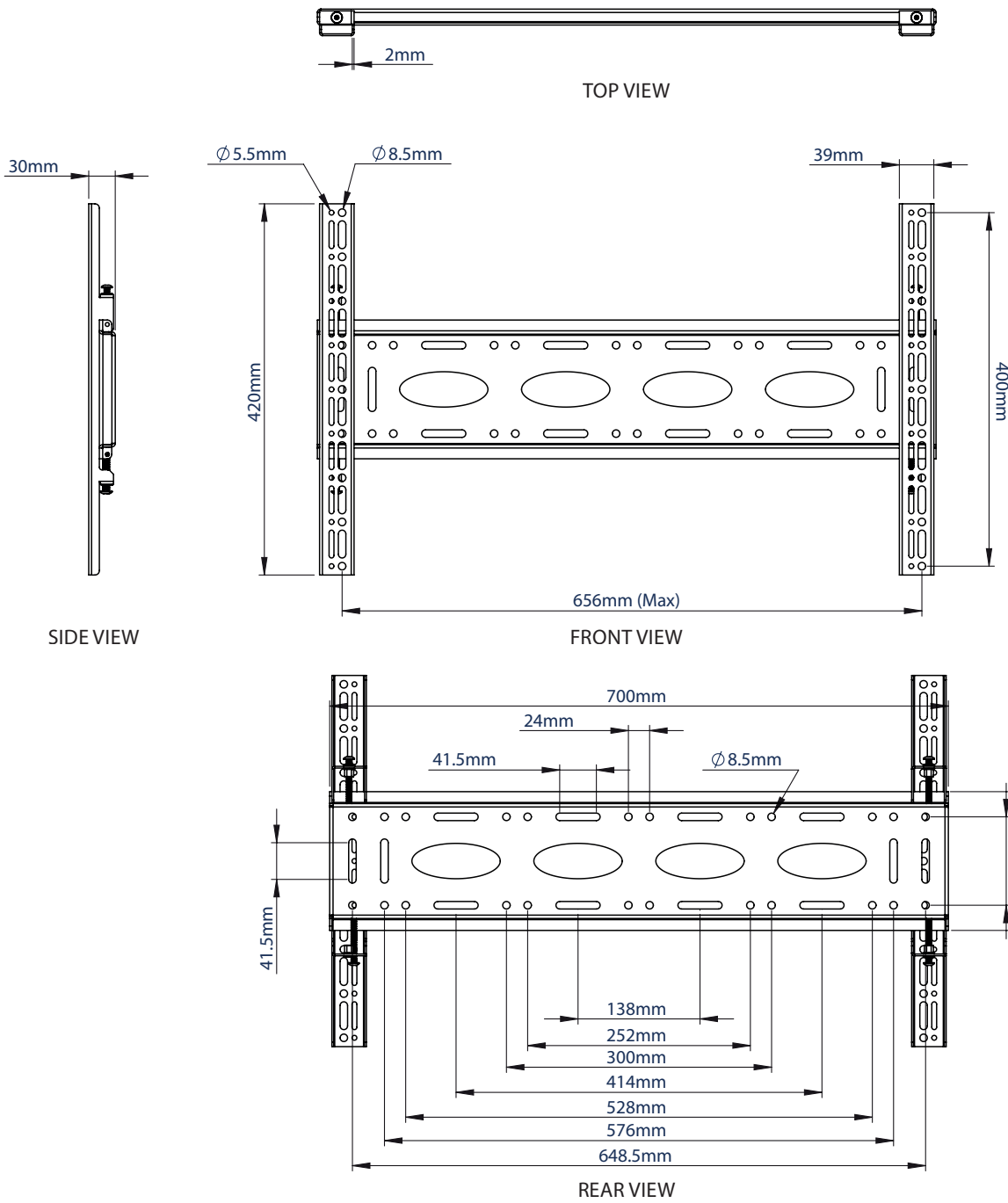
Lateral adjustment of screen once mounted



Levelling screws allow adjustment of screen height



Security locking screws help prevent unauthorised removal of screens



**PACKING INFORMATION**

COLOUR:	ORDER REF:	EAN CODE:	MASTER CARTON QTY:	INNER CARTON QTY:	MASTER CARTON WEIGHT:	MASTER CARTON CUBE:
Black	BT8442/B	5019318651229	4	0	16kg	0.0211cbm

**RELATED PRODUCTS**

<p><b>BT7822</b></p>	<p><b>BT7850</b></p>	<p><b>BT7851</b></p>	<p><b>BT7841</b></p>
<p><b>Heavy Duty Floor / Ceiling Mount for ø50mm poles</b></p>	<p><b>50mm Diameter Poles</b> available as 0.25m - 3m in Black, Silver or Chrome</p>	<p><b>Telescopic Ceiling Mount for ø50mm poles</b></p>	<p><b>Ø50mm 2-Piece Accessory Collar</b> designed to attach a variety of different mounts and accessories onto B-Tech poles</p>

© 2016 B-Tech Professional Design & Manufacturing Ltd. All rights reserved.  
 The information in this specification is intended for reference only. It is not intended to be used as a substitute for the manufacturer's instructions. B-Tech Professional Design & Manufacturing Ltd. is not responsible for any damage or injury caused by improper or misuse of the product. Any reproduction or transmission of any part of this specification is strictly prohibited unless prior written permission has been granted by B-Tech Professional Design & Manufacturing Ltd. (BTD).

SS-V1-BT8442-130319